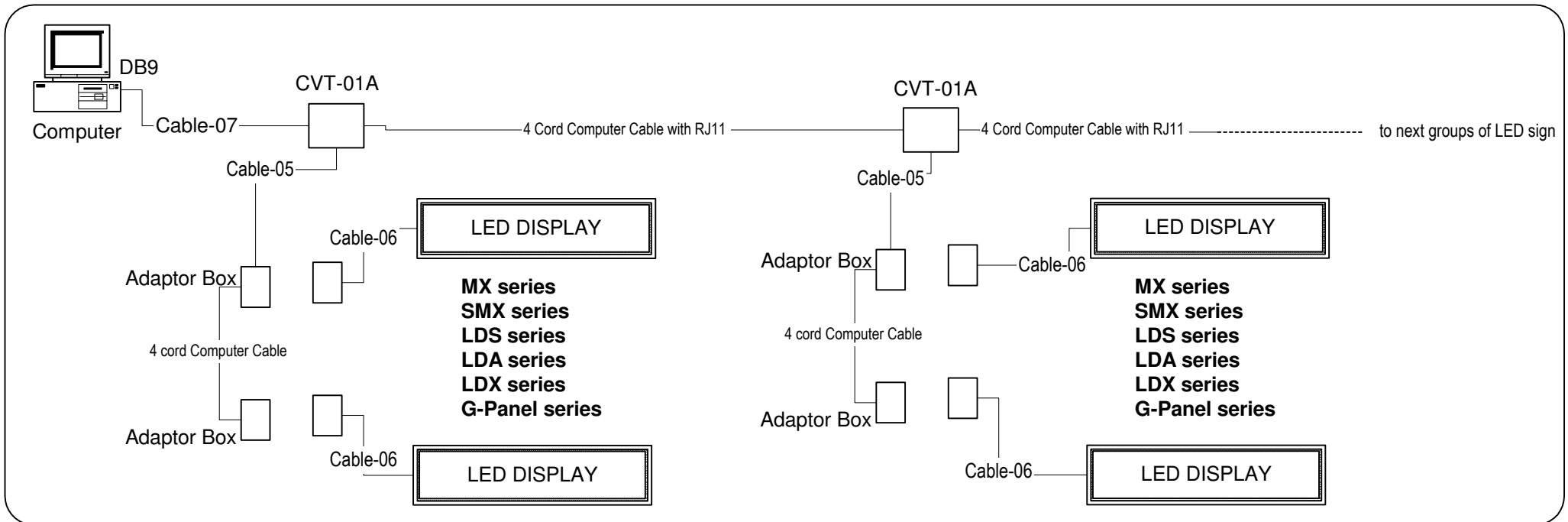
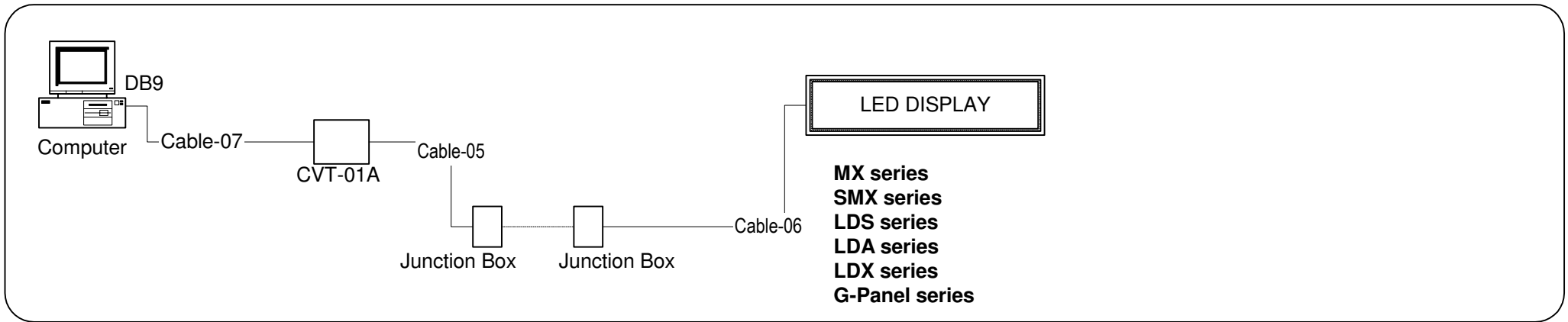


Illustrative Wiring Diagram for RS422/RS485 Configuration



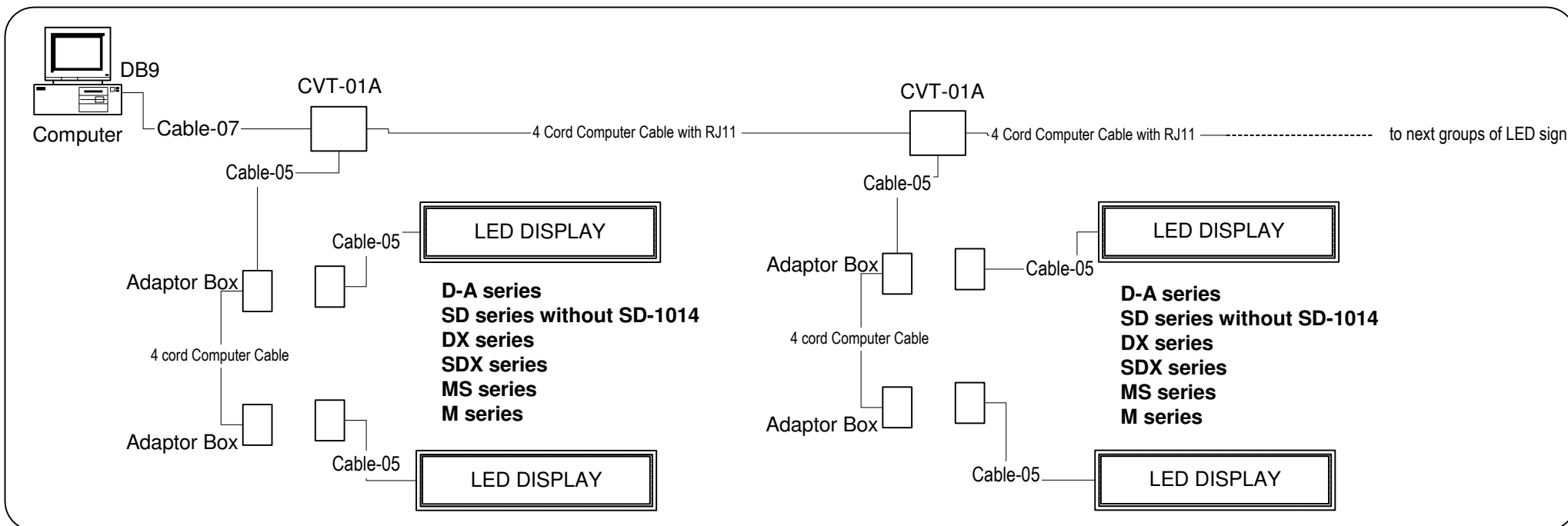
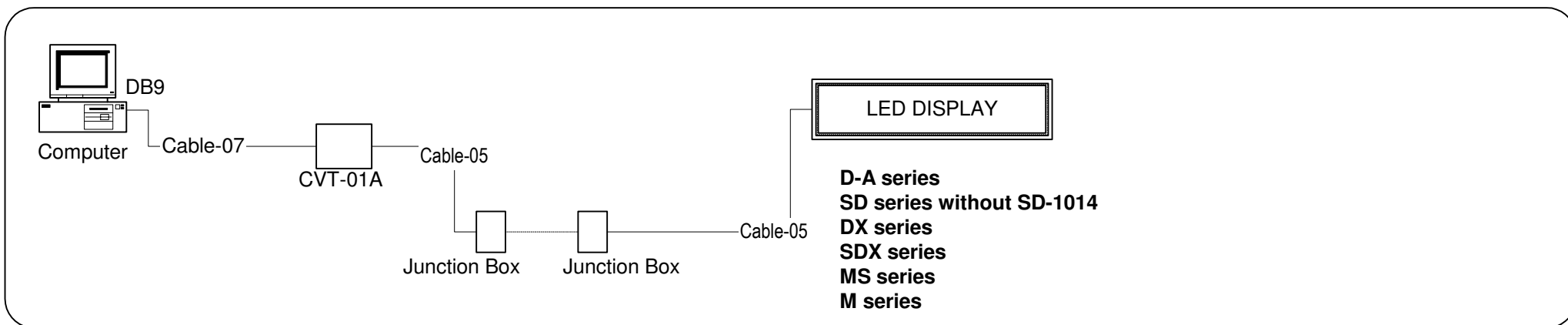
Remark:

Cable-05 = 5m length computer cable with RJ11 and Junction Box

Cable-06 = 5m length computer cable with RJ11, Junction Box and RJ11 to DB9 Adaptor

Cable-07 = 5m length data cable with DB9

Illustrative Wiring Diagram for RS422/RS485 Configuration



Remark:

Cable-05 = 5m length computer cable with RJ11 and Junction Box

Cable-07 = 5m length data cable with DB9